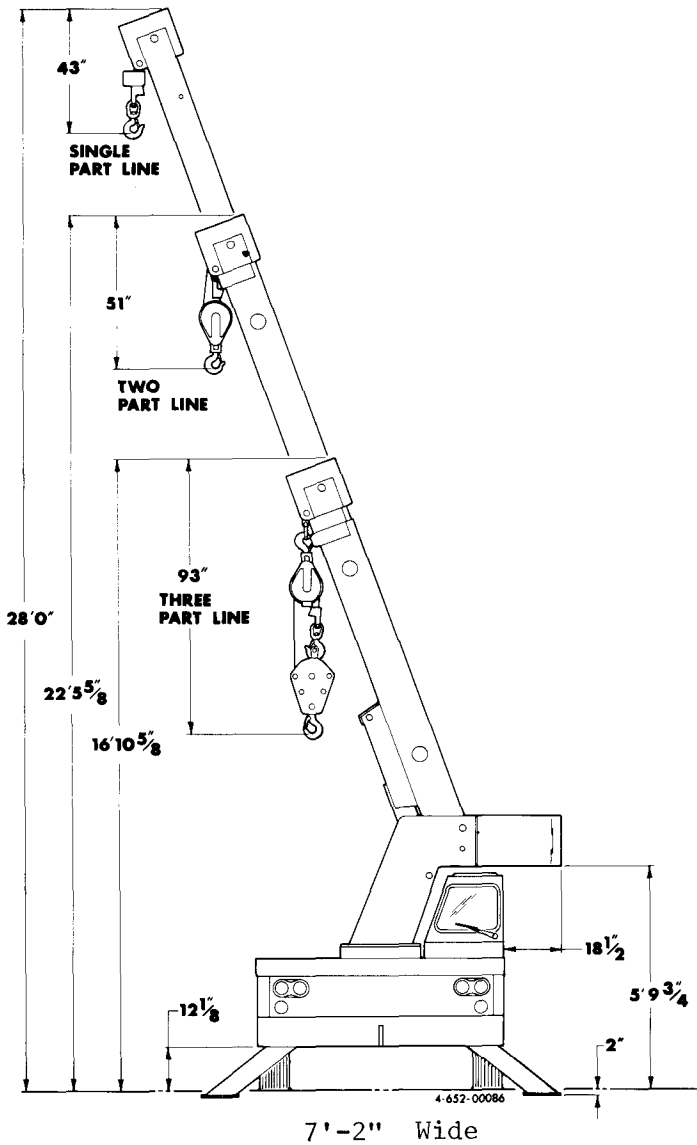


VERTICAL REACH DIMENSIONS



CRANE CAPACITY CHART

ALL CAPACITIES FOR 360° ROTATION

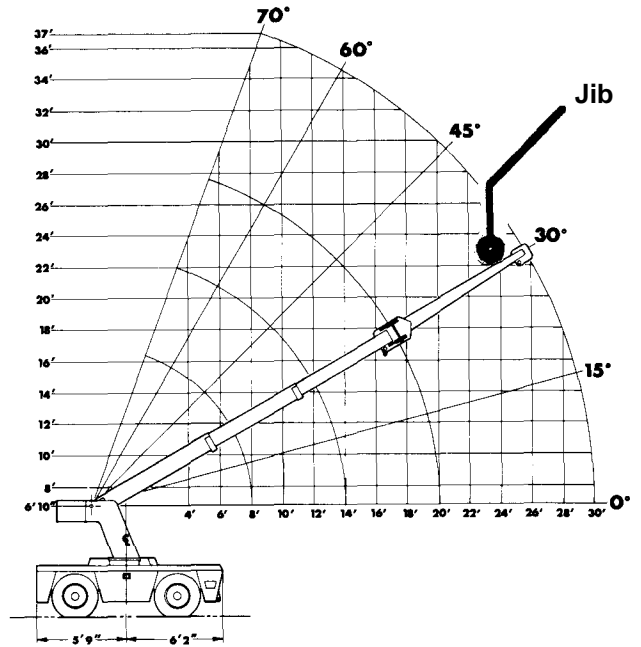
LOAD RADIUS FEET	3-SECTION BOOM		10' BOOM EXTENSION INSTALLED	
	ON RUBBER	ON OUTRIGGERS	ON RUBBER	ON OUTRIGGERS
5	10700	17000	6700	7000
6	9500	14500	5950	6000
8	6400	10230	4750	5000
10	4450	7700	3900	4000
12	3400	6350	3325	3450
14	2675	5350	2975	3050
16	2175	4450	2600	2700
18	1840	3950	2325	2350
20	1550	3550	1800	2250
22			1900	2250
24			1500	2250
26			1100	2250
28			950	2125
30			800	1900

CARRY CAPACITY SPEED LIMIT 3 MPH
DECK LOAD CAPACITY 12000 LBS. (CENTERED OVER AXLE)

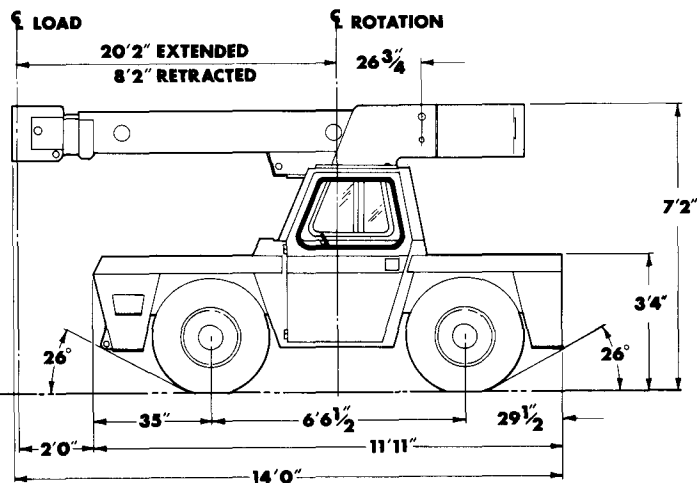
PERSONNEL BUCKET CAPACITY - OUTRIGGERS EXTENDED 300 LBS. PER BUCKET 600 LBS. TOTAL. THE BOOMS ON THIS UNIT ARE ALL STEEL AND HAVE NO LINE VOLTAGE RATING. MAXIMUM HYDRAULIC PRESSURE 3000 PSI.

DEDUCT 120 LBS. FROM ALL "ON RUBBER" CAPACITIES WHEN BOOM EXTENSION IS STOWED ON BASE BOOM.

ALL CAPACITIES APPLY TO OPERATION ON FIRM LEVEL SURFACES.



PRINCIPAL DIMENSIONS



Broderson IC 80-1A